

Bourdon Tube Pressure Gauges

Crimped-on Ring Case Stainless Steel

RChg 50
RChgG 50

Standard Versions

Information on general and metrological features (load limits / temperature limitations) and standard pressure ranges / scale divisions can be found in model overview 1000.

Accuracy (EN 837-1)

Class 1.6

Class 2.5 for pressure ranges 0-600 bar
(0-10,000 psi)

Case

Polished crimped-on ring, 1.4301 (304 stainless steel)

Case Protection Type (EN 60 529 / IEC 529)

IP 54,

IP 65 for model RChgG with closed blow-out plug

Blow-out Device

Blow-out plug at the top of the case coverage

Case Ventilation

By blow-out plug, ventilation required for internal pressure compensation for pressure ranges ≤ 10 bar and also recommended for other pressure ranges, as far as the operating conditions allow this.

Case Filling

for model RChgG: glycerine

Nominal Case Size

50 (mm) (2")

Wetted Parts

Connection: 1.4571 (316 stainless steel)
Bourdon Tube: 1.4571 (316 stainless steel),
argon arc welding,
 ≤ 100 bar (1,500 psi) c-form,
 ≥ 160 bar (2,000 psi) helical

Case Configuration

Connection: screwed
Position of the connection: bottom connection,
optional centre back connection (**rm**)
Mounting device: without, optional front flange for
panel mounting (**Fr**) or u-clamp for
panel mounting (**BFr**), see page 2

Pressure Ranges (EN 837-1)

0-1 bar (0-15 psi) to 0-600 bar (0-10,000 psi)

Process Connection

G 1/4 B (1/4" BSP)

Window

Polycarbonate

Movement

Stainless steel

Dial

Aluminum, black figures, white background

Pointer

Aluminum, black



Safety Category according to EN 837-1

S1 pressure gauges with blow-out device

Ordering Information, Standard Pressure Ranges, Options:

see pages 3 and 4

Special Versions and further options among others

- Other process connections upon request
- Other pressure ranges and / or special scales, e.g. double scale bar/psi, coloured fields or areas, dial inscriptions, negative scale etc.
- Increased case protection type, e. g. IP 65 without case filling, upon request
- Other case fillings upon request
- Position of connection radial at 3 o'clock, 9 o'clock or 12 o'clock (others upon request), or other than vertical installation (90°) for dry version
- GOST-version for Russia, Ukraine, Kazakhstan

Accessory:

see catalogue-heading 11



Sales and Export South, West, North

ARMATURENBAU GmbH

Manometerstraße 5 • D-46487 Wesel - Ginderich
Tel.: +49 (0)28 03/91 30-0 • Fax: +49 (0)28 03/10 35
armaturenbau.com • mail@armaturenbau.com

Subsidiary Company, Sales and Export East

MANOTHERM Beierfeld GmbH

Am Gewerbepark 9 • D-08344 Grünhain-Beierfeld
Tel.: +49 (0)37 74/58-0 • Fax: +49 (0)37 74/58-545
manotherm.com • mail@manotherm.com

1232

11/09

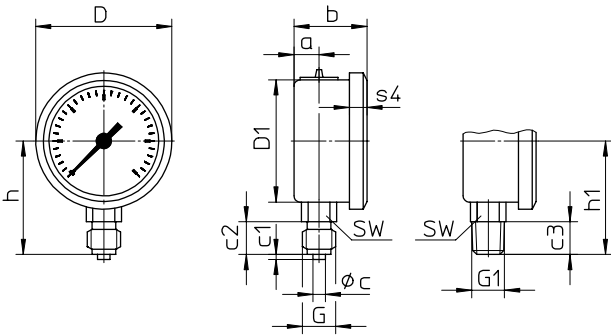
Case Configurations, Code Letters, Dimensional Data and Weights, Blow-out Device

Bottom connection

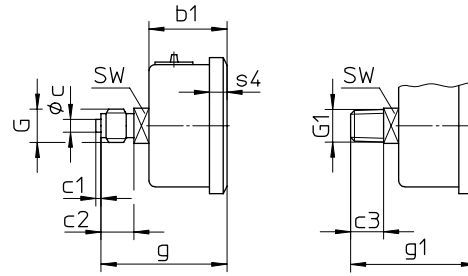
Centre back connection

No mounting device

(no additional code letter)

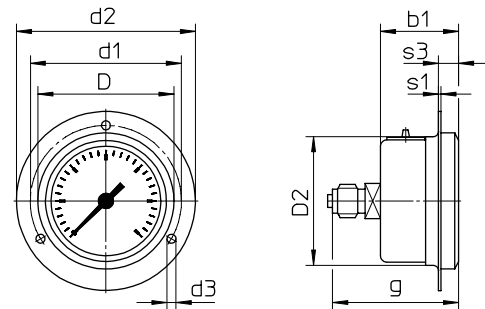


code letters: **rm**



Front flange for panel mounting

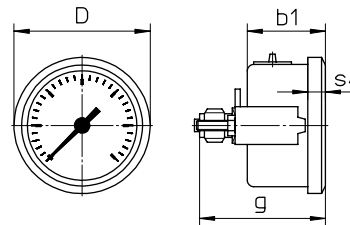
code letters: **rmFr**



recommended panel cut out for $\text{Ø } 54 \pm 0.3 \text{ mm (0.01")}$

U-clamp for panel mounting

code letters: **rmBFr**



recommended panel cut out for $\text{Ø } 51 \pm 0.3 \text{ mm (0.01")}$

Dimensional data (mm / inches) and weights (kg / lb)

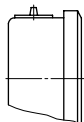
NCS	a	b	b1	c	c1	c2	c3	D	D1	D2	d1	d2	d3	G	G1	g	g1	h ^{±1}	h1 ^{±1}
50 2"	10 .4	29 1.14	31 1.22	5 .2	2 .08	13 .51	13 .51	54 2.13	48.5 1.91	51 2.01	60 2.36	71 2.8	3.6 .14	G ^{1/4} B 1/4" BSP M 12x1.5	1/4" NPT	50 1.97	50 1.97	45 1.77	45 1.77

s1	s3	s4	SW	approx. weight ¹⁾	
				RChg	RChgG
1 .04	8 .31	7 .28	14 .55	0.09 .198	0.13 .286

¹⁾ Information for version without mounting device

Blow-out device

Blow-out plug 19



Further Options regarding Ordering Informations

Basic Model:	Bourdon Tube Pressure Gauge, Crimped-on Ring Case	RChg
Model Code:		see page 3
Options:	red mark on the dial	<i>(order at the moment stell as clear text)</i>
	receiver gauge 0.2-1 bar, scale 0-100%	
	linear	
	square	
	special adjustment (reference points = odd values, e. g. 100 KN = 8.735 bar)	
	window instrument glass	
	blow-out plug 24 (reclosable)	
	case polished	
	density examination with helium leak detection up to of the measuring unit 10 ⁻⁹ mbar l/s	
	wetted parts, free of grease and oil, up to adjustment ≤ 250 bar (3,000 psi) with dry air, ≥ 400 bar (5,000 psi) with 0-600bar (0-10,000 psi) distilled water, dial marking: symbol cancelled oil can	
	silicone-free version	
	restrictor screw in orifice Ø 0.6 mm (0.02")	
	pressure inlet port orifice Ø 0.3 mm (0.01") material: as process connection stainless steel	
	measuring point stainless steel-plate 12 mm x 55 mm (0.47" x 2.17"), wire mounting marking or sticker on case coverage	

Special versions: Please describe your requirements clearly Technical changes, replacement of materials and errors excepted.