

Mini Seals

Compact Type

Male Thread Connection 1/2" BSP or NPT, PN 160

Models

MDM 7936

MDM 7939

Application

Diaphragm seals models MDM 7936 and MDM 7939 are available for aggressive, also hot media, and suitable for mounting at narrow space. The diaphragm seal is fully welded. This allows a very compact construction, and no additional gaskets inside of the mini seal are required.

Different types of Bourdon tube pressure gauges, pressure switches or transmitters can be attached.

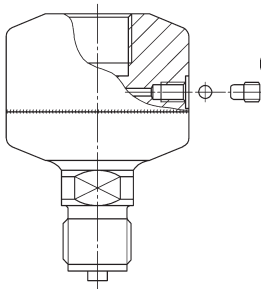
Important information about advantages, applications, and features can be found in our model overview 7000 where you will also find an overview of our other chemical seal series.

Please note especially the explanations about the influences of temperature and other special operating conditions, and the requirement of detailed ordering information resp. inquiries.

Please use our check list for pressure measuring instruments with chemical seal to ensure the completeness of all required ordering information (for download to find at <http://armaturenbau.com>, PDF-Download). You can receive the check list in printed version with mail upon request.

Construction

The diaphragm is welded to the upper and the lower housing. A filling port at the connection piece for the measuring instrument is provided for filling the complete measuring system after mounting and evacuation.



Do not open any connection of the system! Otherwise filling fluid will leak out and the measuring system cannot work proper anymore!

Standard Configuration

Process Connection

MDM 7936 = G 1/2 B (1/2" BSP male), MDM 7939 = 1/2" NPT male

Upper and Lower Housing

Stainless steel 316 L (1.4435)

Diaphragm

Stainless steel 316 L (1.4435), welded to the upper and the lower housing, effective Ø diaphragm $d_m = 52$ mm (2.05")

Nominal Pressure

PN 160 (2000 lb/sq.in.)

Instrument Connection

G 1/2 (1/2" BSP) female

Filling Fluid

Silicone oil (FA1)

Pressure Ranges

Pressure gauge nom. size 100 (4"): 0-1 bar to 0-160 bar
0-15 psi to 0-2,000 psi;

also corresponding vacuum and compound ranges;
for other pressure measuring instruments upon request

Reference Temperature

+20 °C (+68 °F), dial inscription for pressure gauges: tA 20 °C



Optional Special Configurations e.g.

- Instrument connection 1/4" BSP female, 1/4" or 1/2" NPT female
- Other process connections upon request
- Special materials for the complete mini seal or the lower housing and the diaphragm, for example different kind of stainless steels, Hastelloy alloy C 4 (2.4610), Hastelloy alloy C 276 (2.4819), or titanium (only for complete seal); others or combination of different materials upon request
- Operating temperature differing from +20 °C (+68 °F) (Please state the exact working conditions!)
- Capillary line between diaphragm seal and instrument (length limit upon request), or cooling element, see data sheet 7002, strongly recommended for medium temperatures >+100 °C (>+212 °F)

How to Order:

Please note the detailed information about the required ordering information

- in our model overview 7000 and our check list for measuring instruments with chemical seal
- on the data sheet for the measuring instrument that shall be attached.

Model code: **MDM 7936 or MDM 7939**

Process connection: **G 1/2 B (1/2" BSP-m)**, MDM 7936
1/2" NPT-m, MDM 7939

Nominal pressure: **PN 160**

Material: **316 L (1.4435)** = standard,
others see above

Instrument connection¹⁾ **G 1/2 (1/2" BSP-f)**, others see above

Special configurations: see above

Please point out especially when the medium or ambient temperature is different than +20 °C (+68 °F).

Examples:

- MDM 7936, G 1/2 B, PN 160, 316 L, G 1/2 for instrument
- MDM 7939, 1/2" NPT-m, PN 160, 316 L, 1/2" NPT-f for instrument

¹⁾ to state only for separate ordered diaphragm seals



ARMATURENBAU GmbH

Manometerstraße 5 • D-46487 Wesel - Ginderich
Phone: (0 28 03) 9130-0 • Fax: (0 28 03) 10 35
armaturenbau.com • mail@armaturenbau.com



Subsidiary Company and Sales East Germany and Eastern Europe

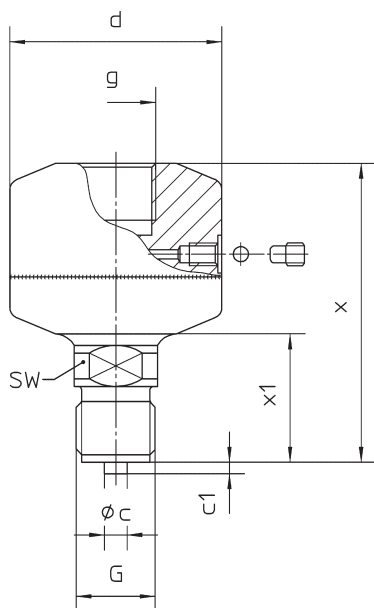
MANOTHERM Beierfeld GmbH 7936

Am Gewerbepark 9 • D-08344 Grünhain-Beierfeld
Phone: (0 37 74) 58-0 • Fax: (0 37 74) 58-545
manotherm.com • mail@manotherm.com

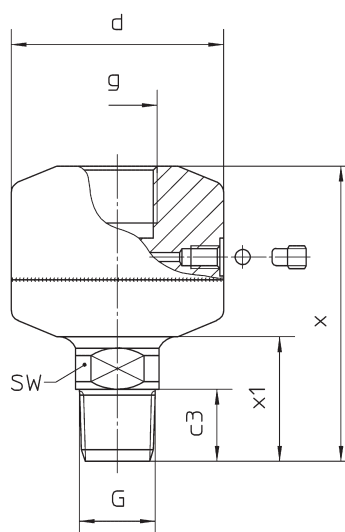
2/06

Drawings, Dimensional Data and Weight

MDM 7936



MDM 7939



Dimensional Data (mm / inches) and Weight (kg / lb)

Model	c	c1	c2	c3	d	g	G	x ^{±1}	x1	SW	Weight (approx.)
MDM 7936	6 .24	3 .12	20 .79	—	57.5 2.26	G ½ ½" BSP female	G ½ B ½" BSP male	74 2.91	34 1.34	22 .87	0.75 1.65
MDM 7939	—	—	—	19 .75			½" NPT male	73 2.87	33 1.3		

The information in this leaflet is given in good faith, but we reserve the right to make changes without notice.